

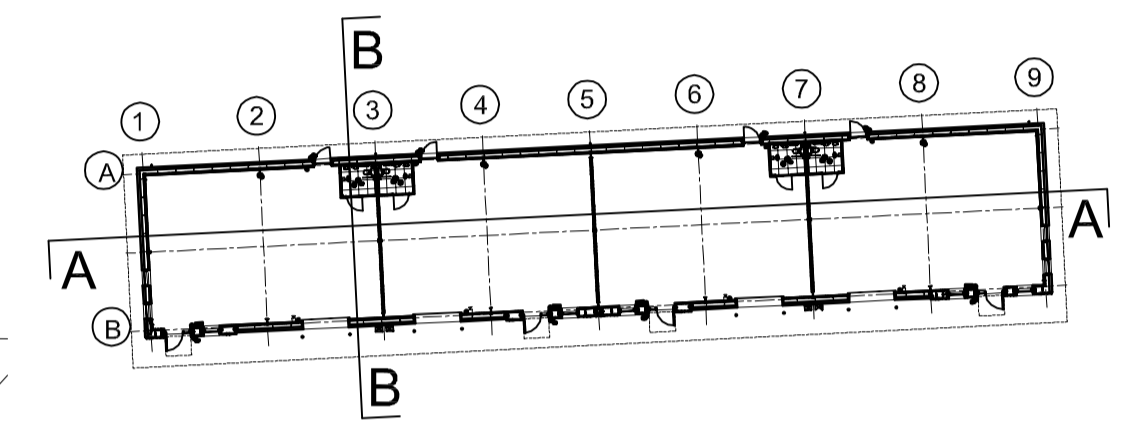
01 UNIT 5-8 SECTION A - A  
1221 1:50

**NOTES:**  
 SUBJECT TO STATUTORY CONSENTS  
 SUBJECT TO SURVEY  
 BASED ON OS MAP REPRODUCED BY PERMISSION OF CONTROLLER OF HM STATIONARY OFFICE (c) CROWN COPYRIGHT  
 COPYRIGHT RESERVED  
 DO NOT SCALE THIS DRAWING  
 DO NOT USE ELECTRONIC VERSIONS OF THIS DRAWING TO DETERMINE DIMENSIONS UNLESS SPECIFICALLY AUTHORISED BY MICHAEL SPARKS ASSOCIATES  
 IF USING AN ELECTRONIC VERSION OF THIS DRAWING FIGURED DIMENSIONS TAKE PRECEDENCE AND NOTIFY MICHAEL SPARKS ASSOCIATES OF ANY DISCREPANCIES

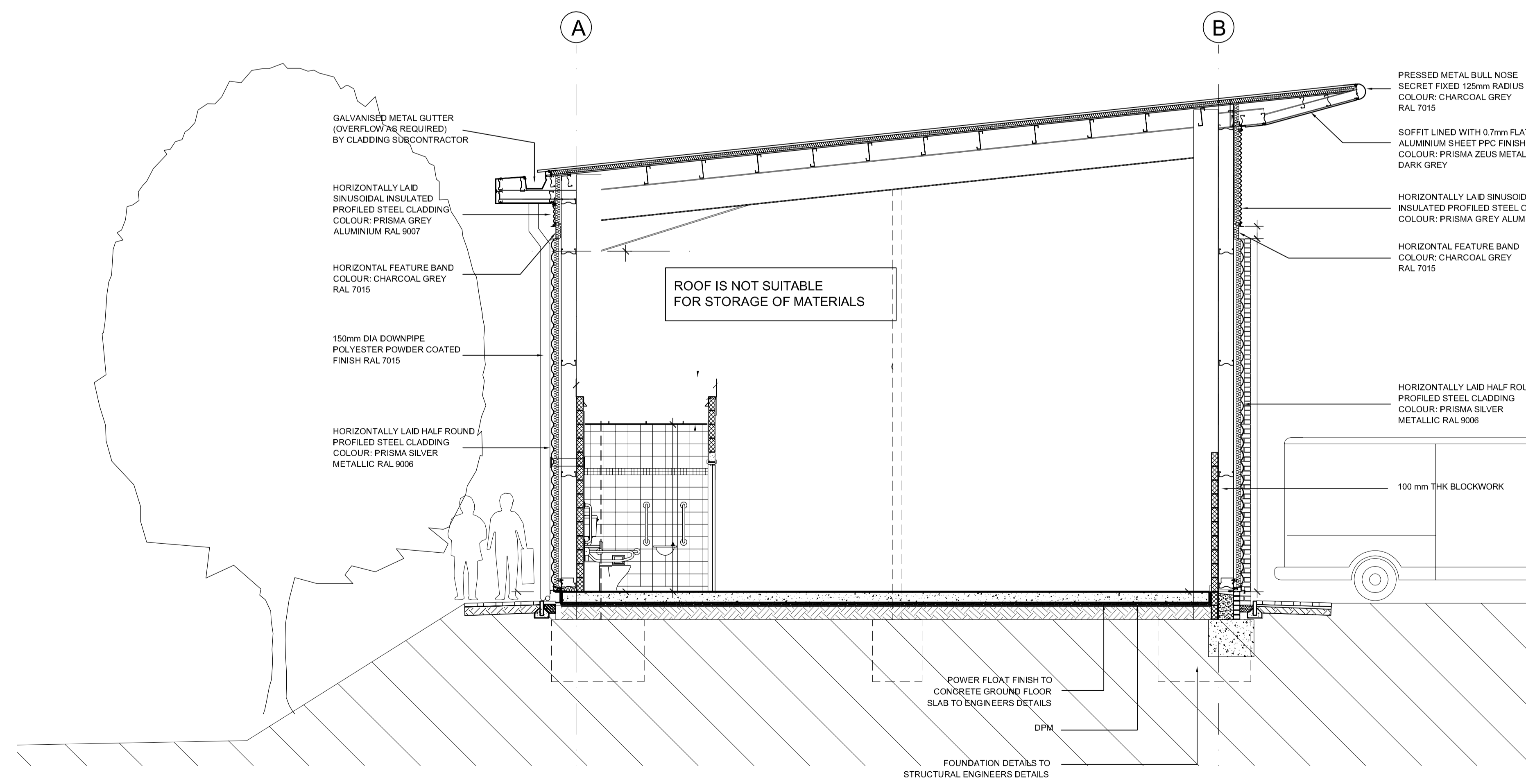
ENSURE SEALING OF ALL JUNCTIONS TO COMPLY WITH PART L.

NOTE:  
 ROOF AND WALL CLADDING TO BE DESIGNED BY SPECIALIST CONTRACTOR.  
 CLADDING DETAILS TO BE READ IN CONJUNCTION WITH THE SPECIFICATION AND ALL RELEVANT BRITISH STANDARDS.  
 INCLUDE VAPOUR BARRIER TAPE AROUND ALL OPENINGS AND JUNCTIONS.

ALL DIMENSIONS TO BE CHECKED ON SITE.  
 STEEL COLUMN SIZES TO BE CONFIRMED AND TOLERANCES TO BE AGREED.



03 UNIT 5-8 GF PLAN  
1221 1:500



02 UNIT 5-8 SECTION B - B  
1221 1:50

PRESSED METAL BULL NOSE  
 SECRET FIXED 125mm RADIUS  
 COLOUR: CHARCOAL GREY  
 RAL 7015

SOFFIT LINED WITH 0.7mm FLAT ALUMINIUM SHEET PPC FINISH  
 COLOUR: PRISMA ZEUS METALLIC DARK GREY

HORIZONTALLY LAID SINUSOIDAL INSULATED PROFILED STEEL CLADDING  
 COLOUR: PRISMA GREY ALUMINIUM RAL 9007

HORIZONTAL FEATURE BAND  
 COLOUR: CHARCOAL GREY  
 RAL 7015

HORIZONTALLY LAID HALF ROUND PROFILED STEEL CLADDING  
 COLOUR: PRISMA SILVER METALLIC RAL 9006

100 mm THK BLOCKWORK

ROOF IS NOT SUITABLE FOR STORAGE OF MATERIALS

<h1>AS BUILT</h1>				
THIS "AS-BUILT" DRAWING IS BASED ON INFORMATION SUPPLIED TO MICHAEL SPARKS ASSOCIATES BY MC LAREN CONSTRUCTION AND INCORPORATES INSTRUCTIONS AND OTHER DESIGN INFORMATION GIVEN TO MC LAREN CONSTRUCTION DIRECTLY BY OTHERS				
A	25.03.2009	Refer to sub-contractors drawings for specialist details This supercedes drawing no: 2716/RE/381 rev.D	JH	NSC
REV	DATE	NOTE	DRAW	CHK

**MICHAEL SPARKS ASSOCIATES**  
 CHARTERED ARCHITECTS  
 11 PLATO PLACE  
 ST. DIONIS ROAD  
 LONDON SW6 4TU  
 TELEPHONE 020 7736 6162  
 FAX 020 7736 3896  
 www.msp-sparks.co.uk

**FROGMORE**

TITLE CROSSWAYS, DARTFORD		
DRAWING SCHOONER PARK UNITS 5 - 8 SECTIONS		
CLIENT FROGMORE		
DATE MARCH 2009	SCALE 1:50 @ A1	DRAWN JH
STATUS AS BUILT		CHECKED NSC
DRAWING NUMBER 2716 / AB / 1221A		